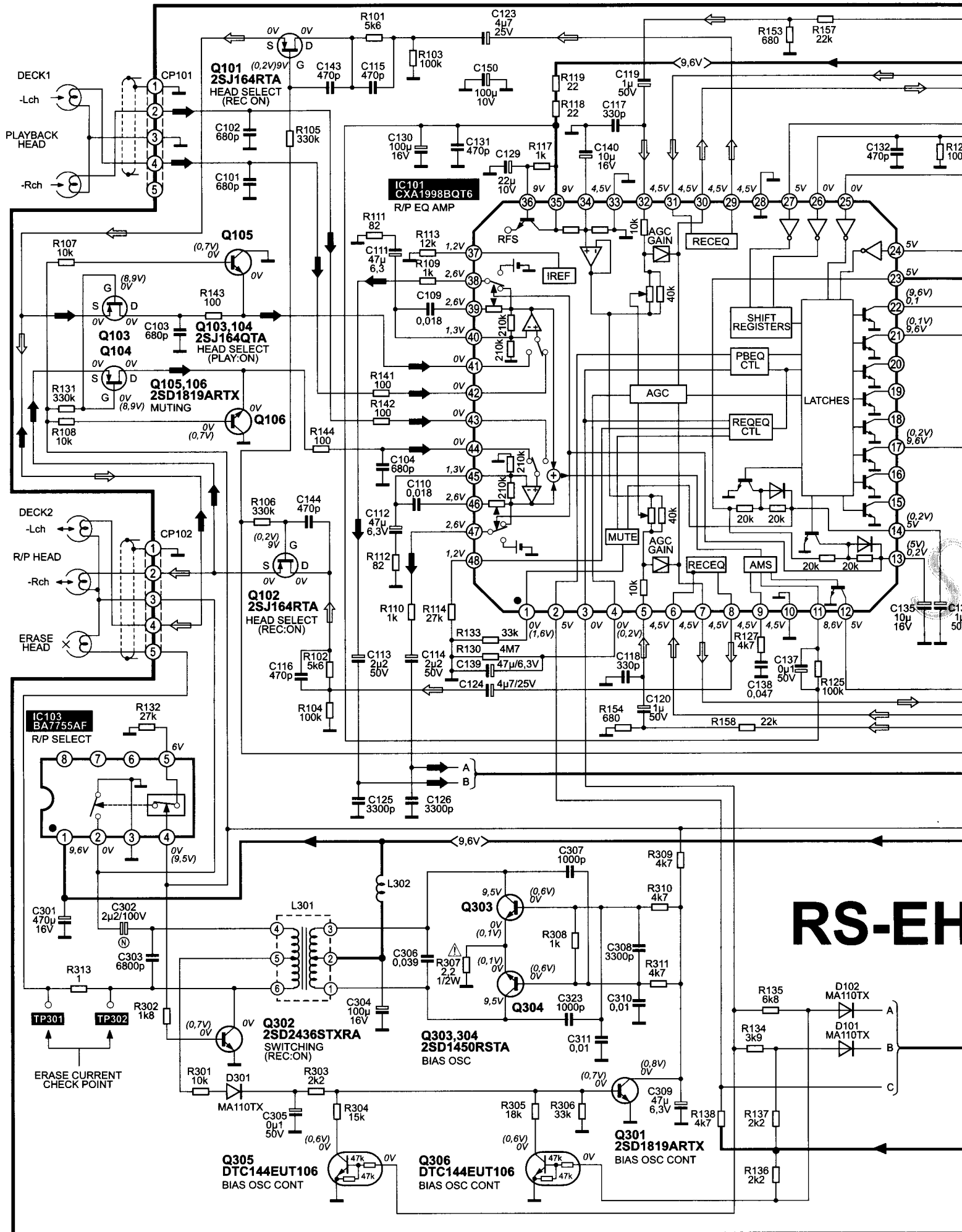
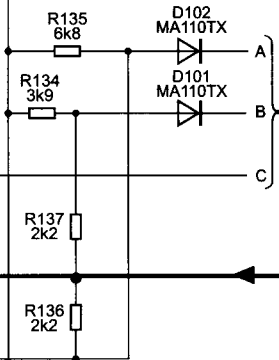


A MAIN CIRCUIT

→ : POSITIVE VOLTAGE LINE ⇨ : RECORDING SIGNAL LINE ⇩ : PLAYBACK SIGNAL LINE

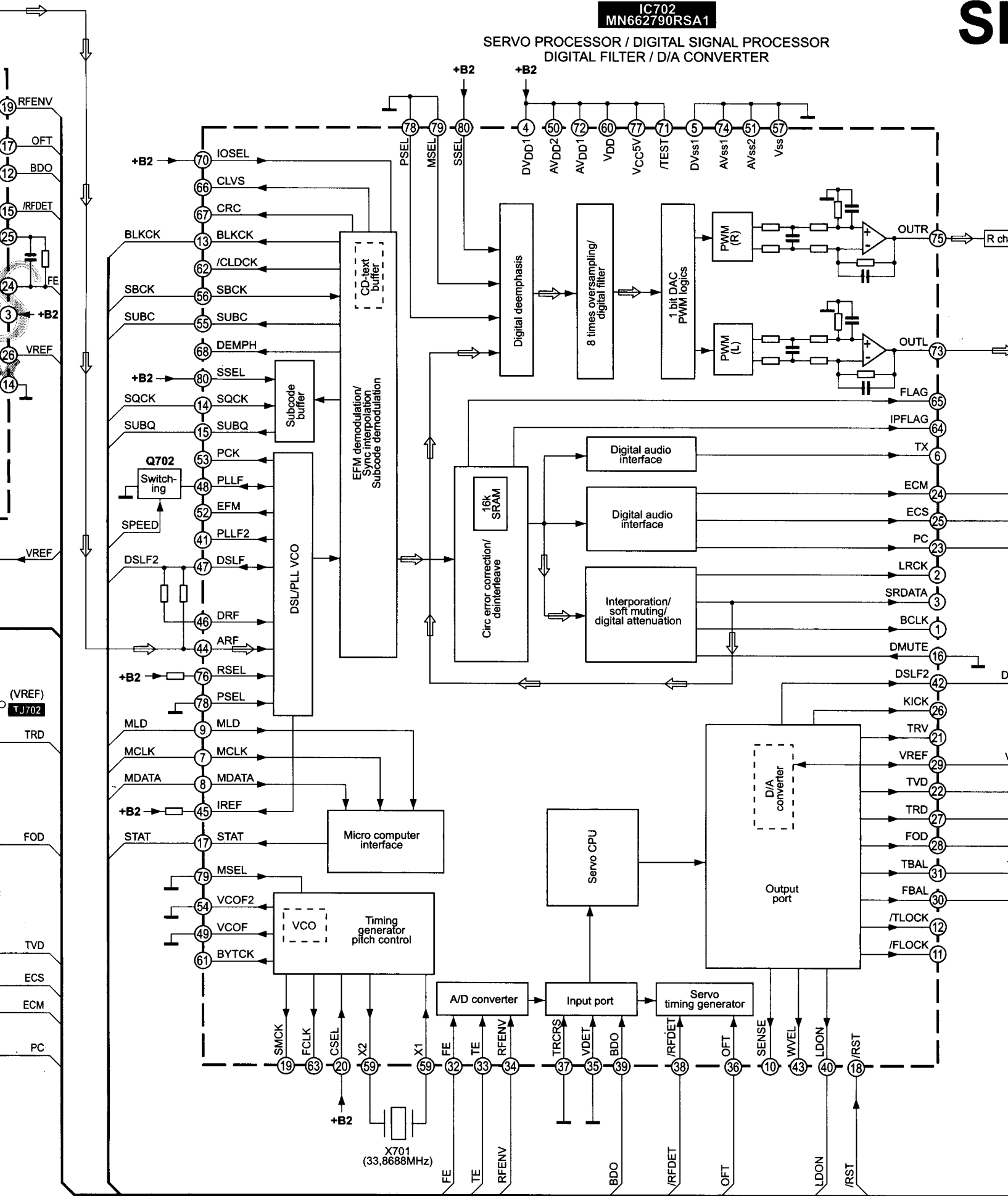


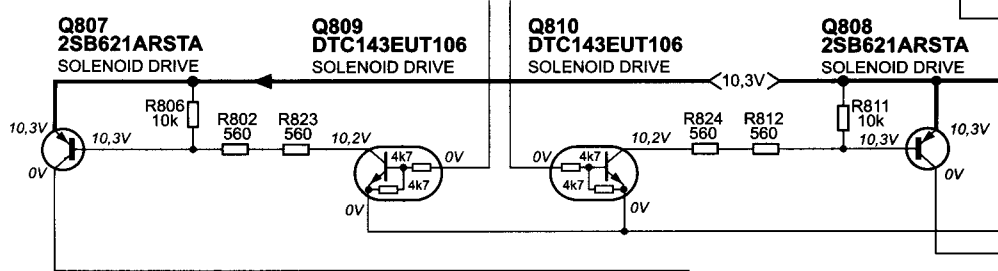
RS-EH



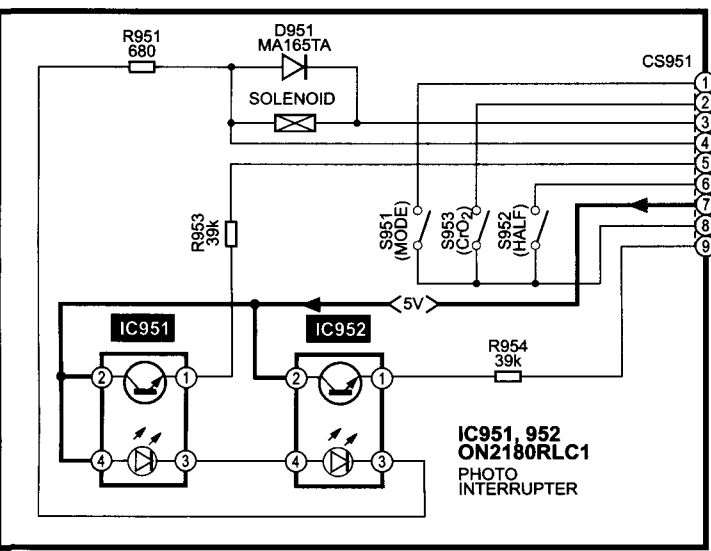
**IC702
MN62790SA1**

**SERVO PROCESSOR / DIGITAL SIGNAL PROCESSOR
DIGITAL FILTER / D/A CONVERTER**

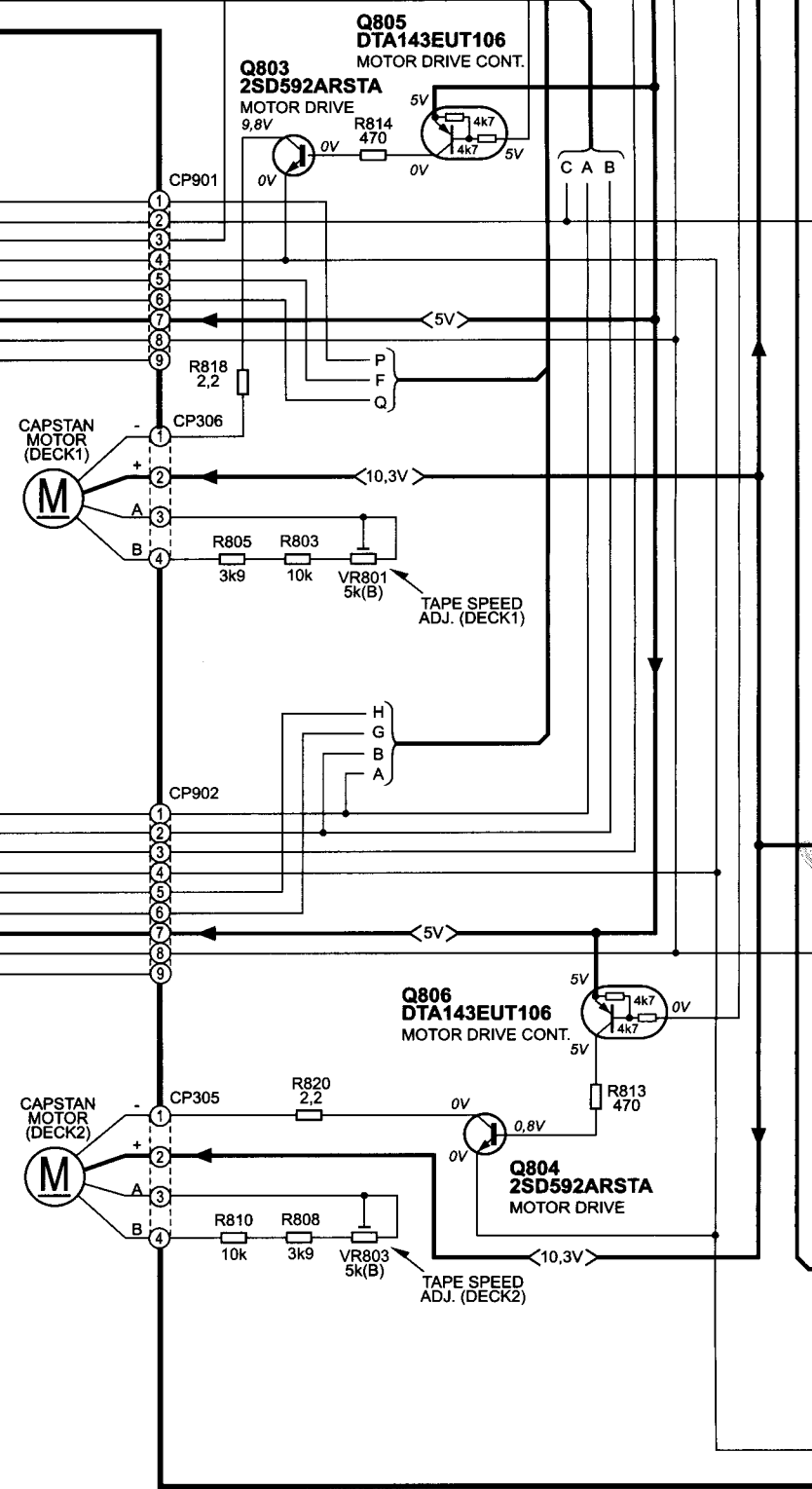
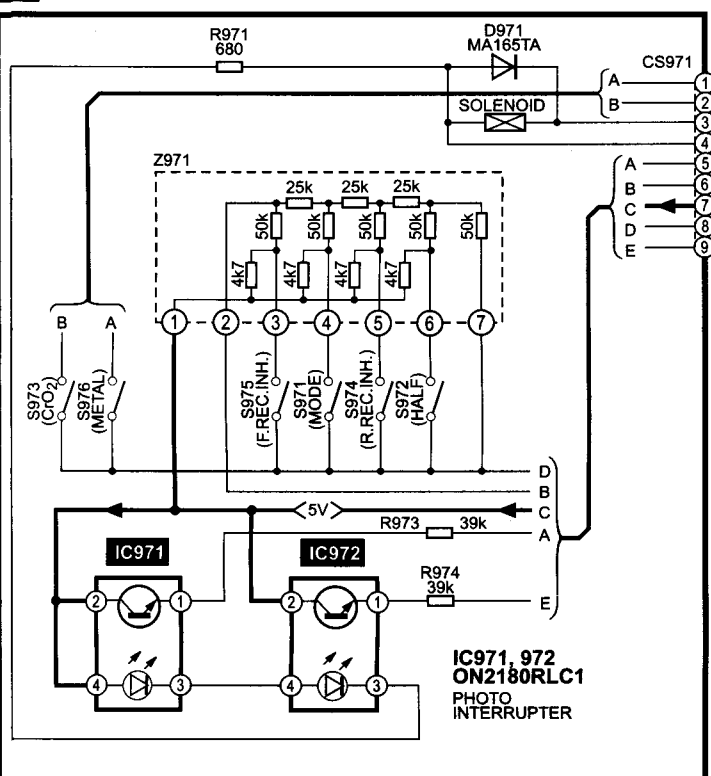


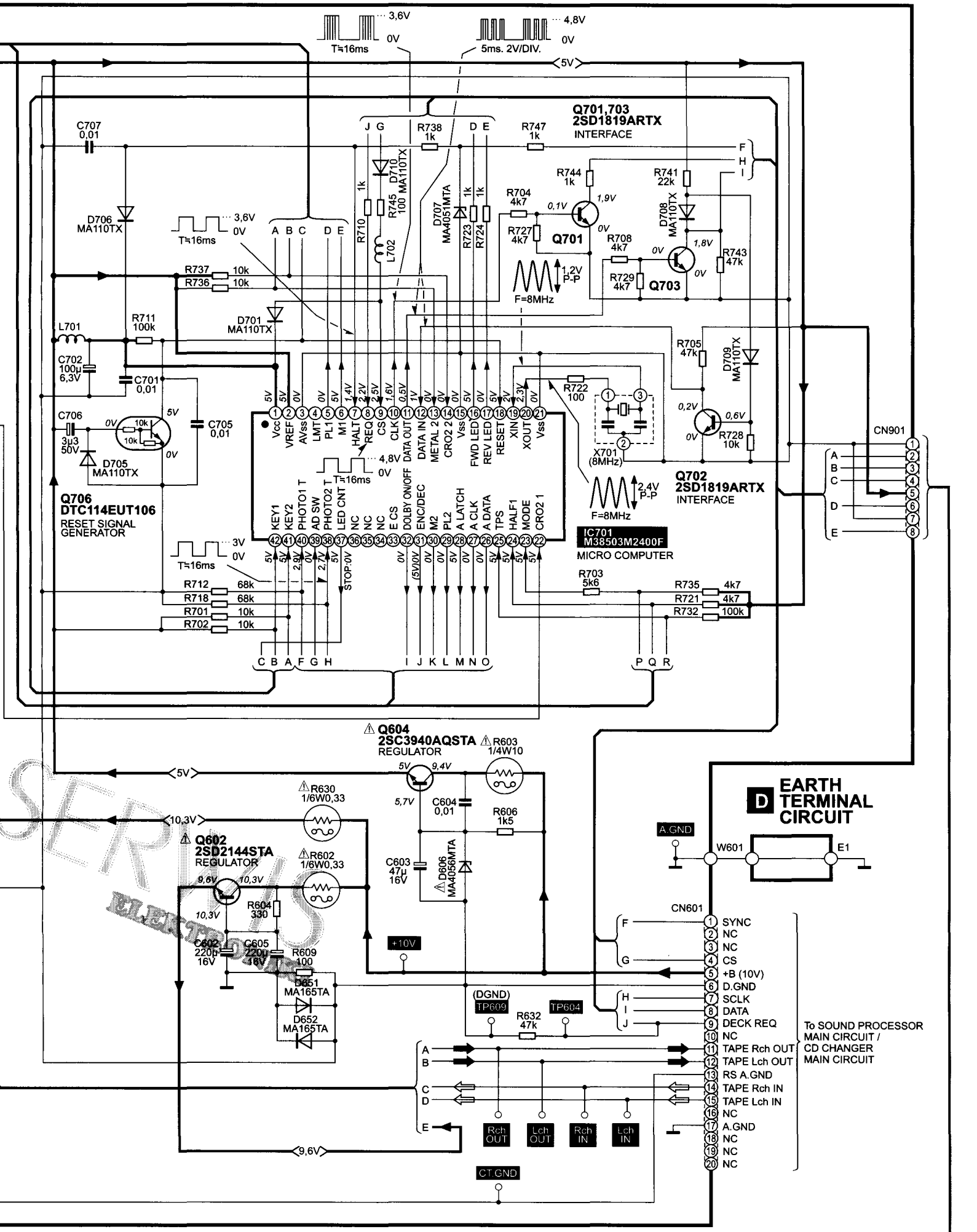


B MECHANISM CIRCUIT (DECK1)



C MECHANISM CIRCUIT (DECK2)

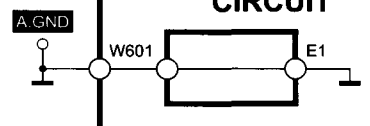




SERIES

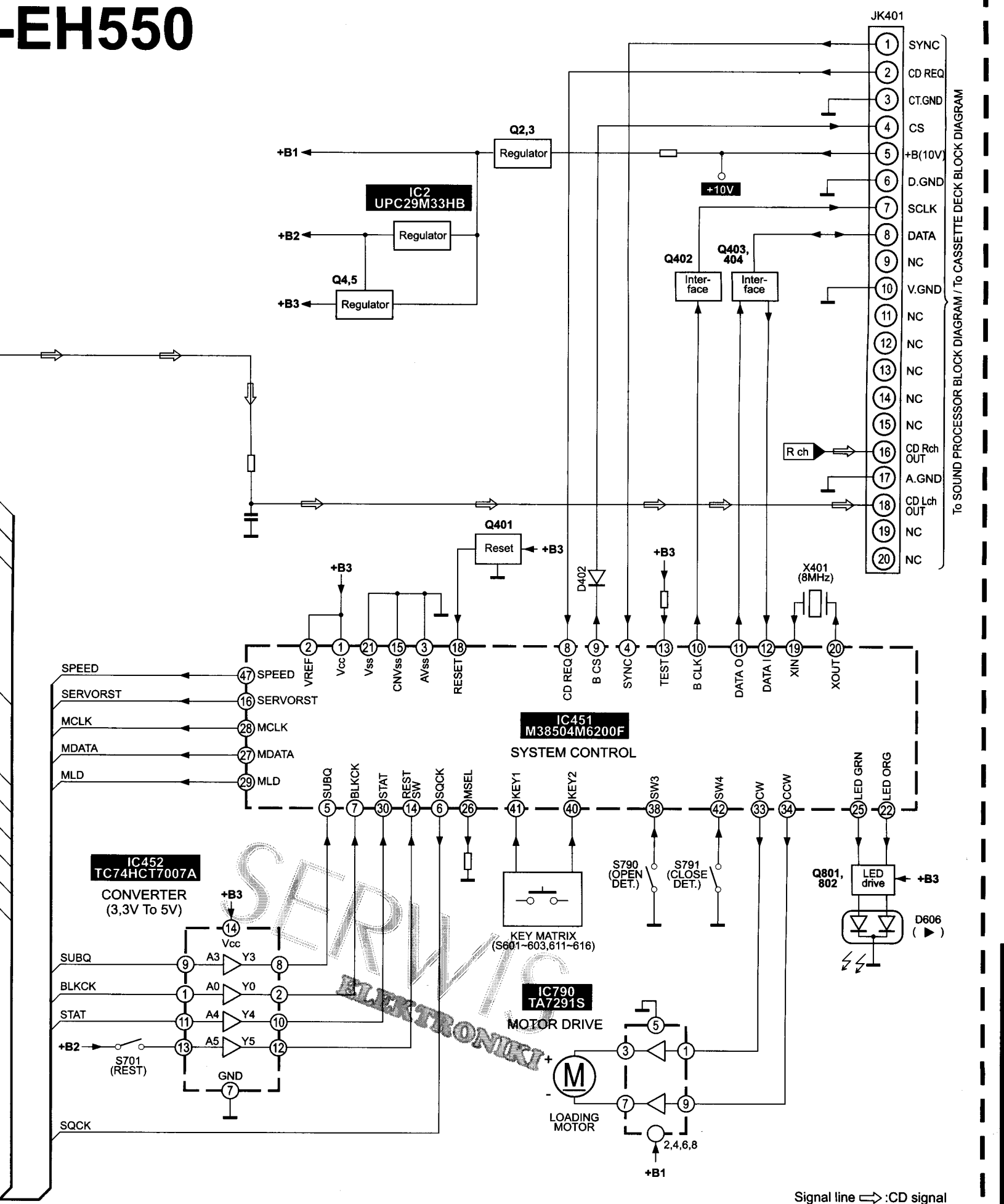
ELECTRONICS

D EARTH TERMINAL CIRCUIT



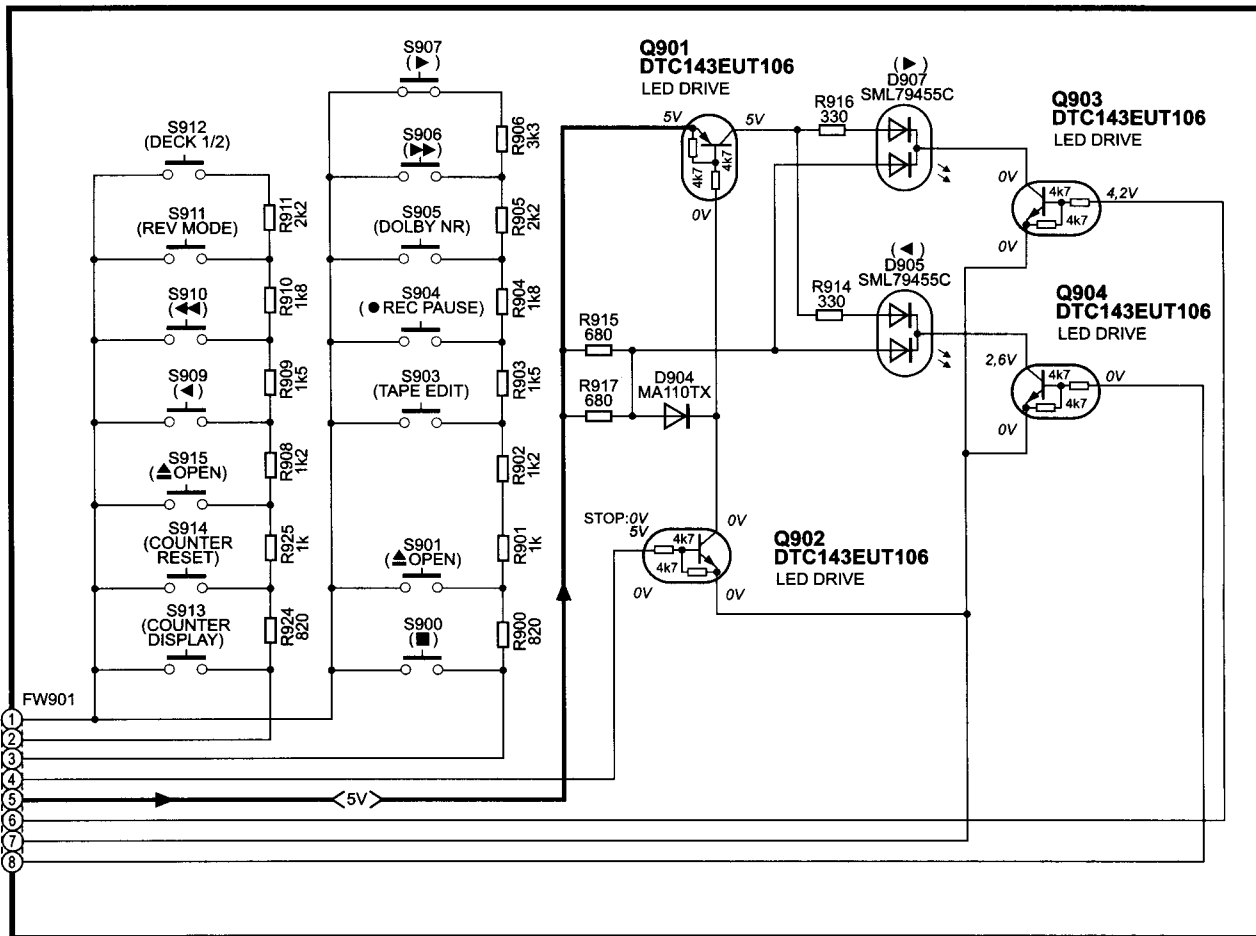
To SOUND PROCESSOR
MAIN CIRCUIT /
CD CHANGER
MAIN CIRCUIT

-EH550



To SOUND PROCESSOR BLOCK DIAGRAM / To CASSETTE DECK BLOCK DIAGRAM

E OPERATION CIRCUIT



214

Uwaga: Schemat amplifonera SA-EH550 został opublikowany w dodatkowej wkładce do SE7/2002

DW_SE4/2004

Zestaw audio Technics SC-EH550:

SH-EH550 - procesor dźwięku,

SA-EH500 - amplifoner,

SL-EH550 - CD,

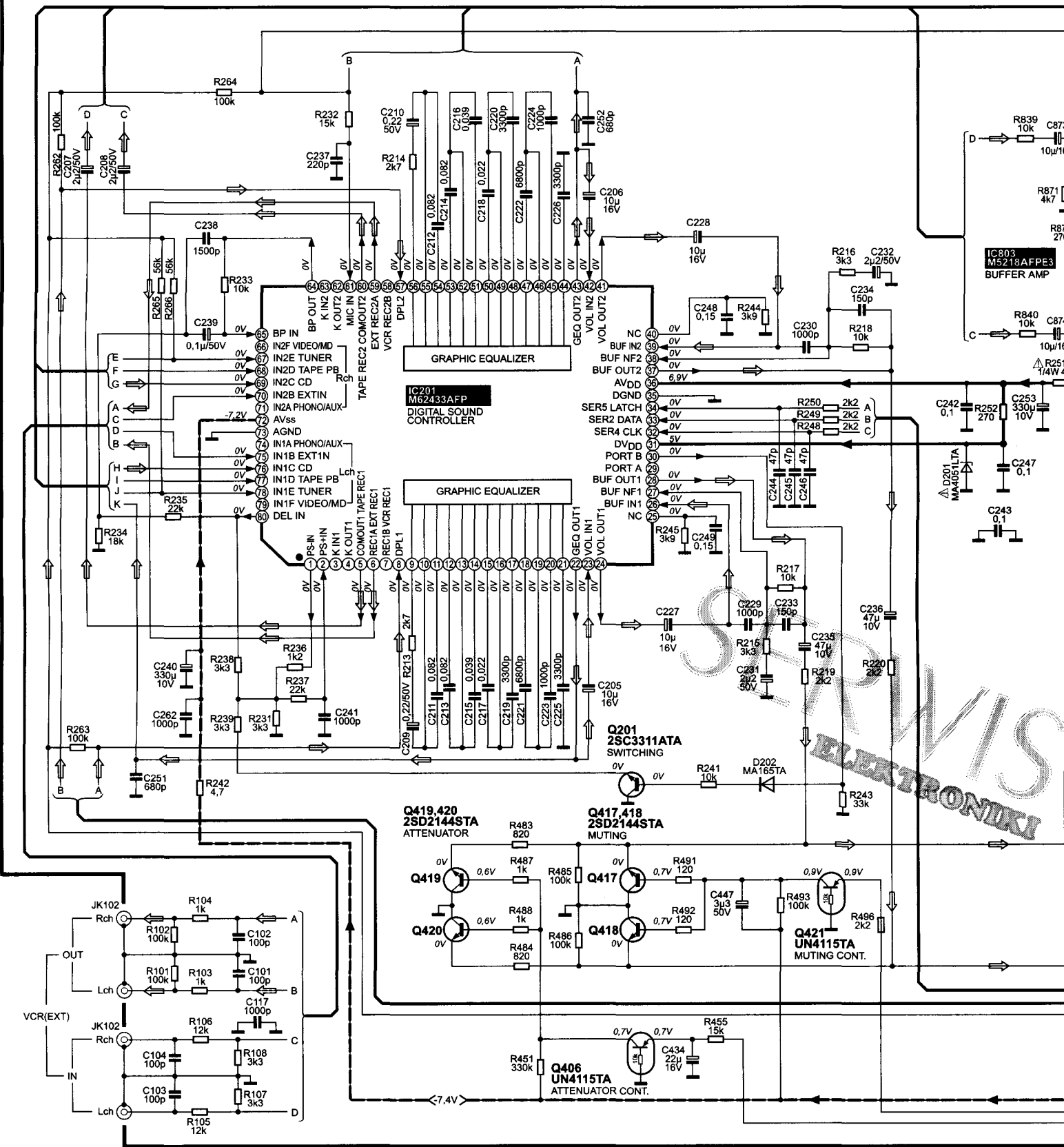
RS-EH750 - magnetofon,

SB-EH550 - głośniki

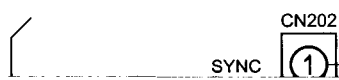
(strona 1/4)

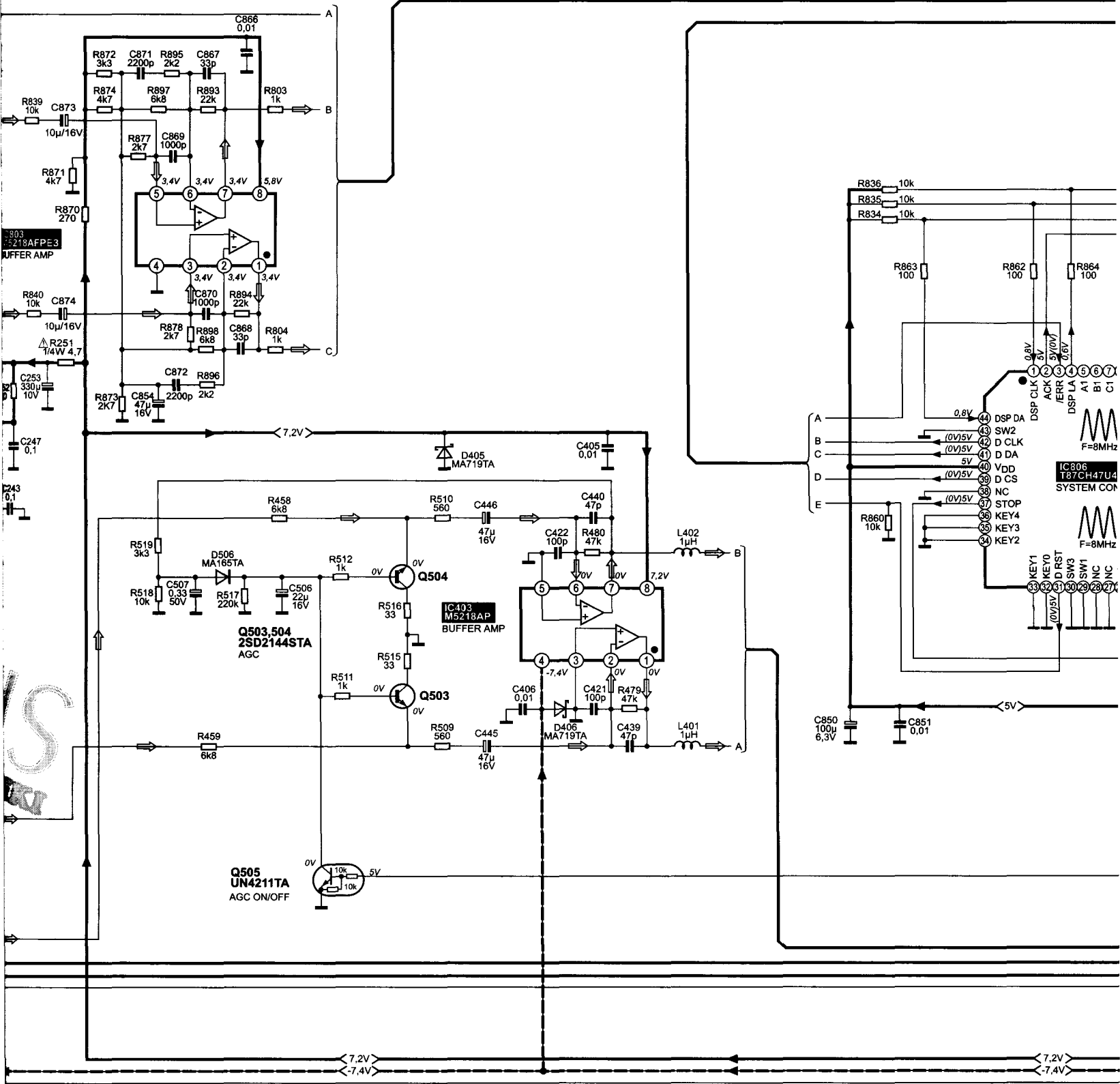
B MAIN CIRCUIT

→ : POSITIVE VOLTAGE LINE \rightarrow : CD SIGNAL LINE
→ : NEGATIVE VOLTAGE LINE



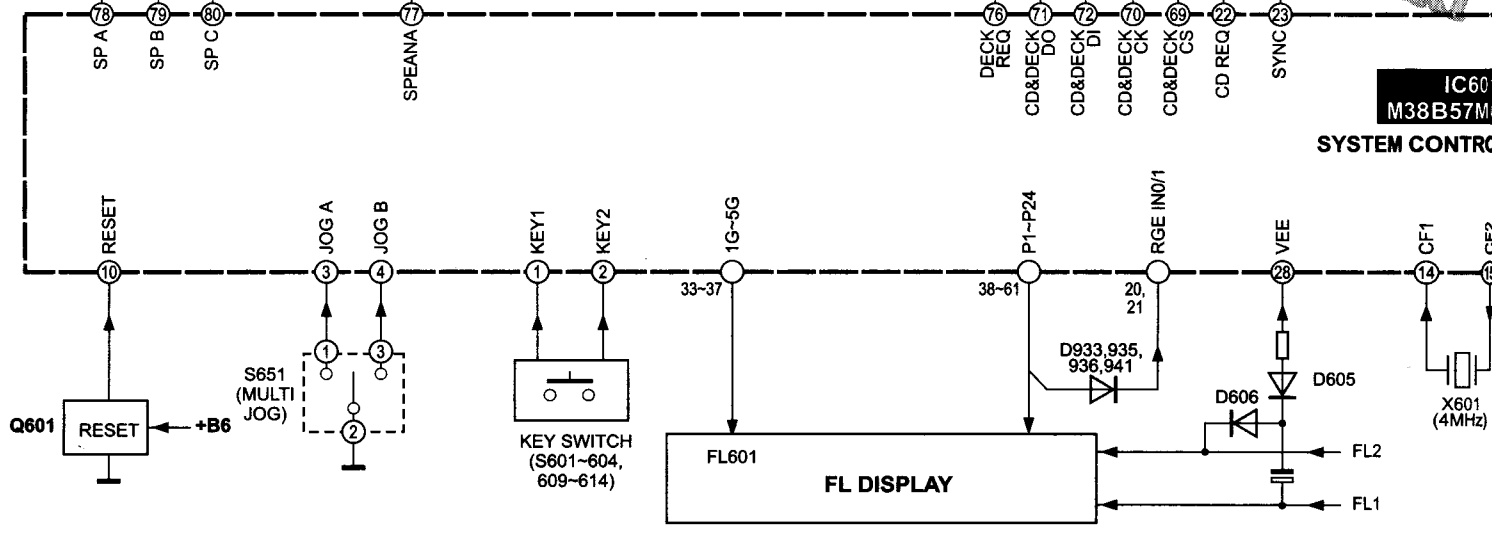
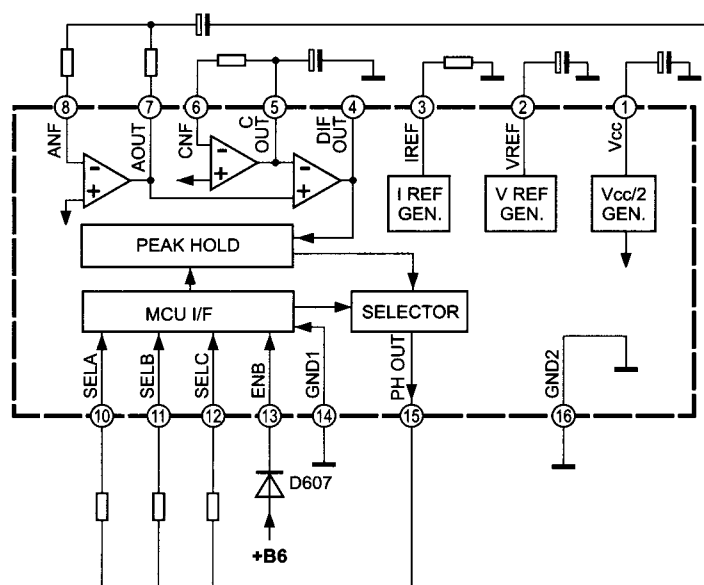
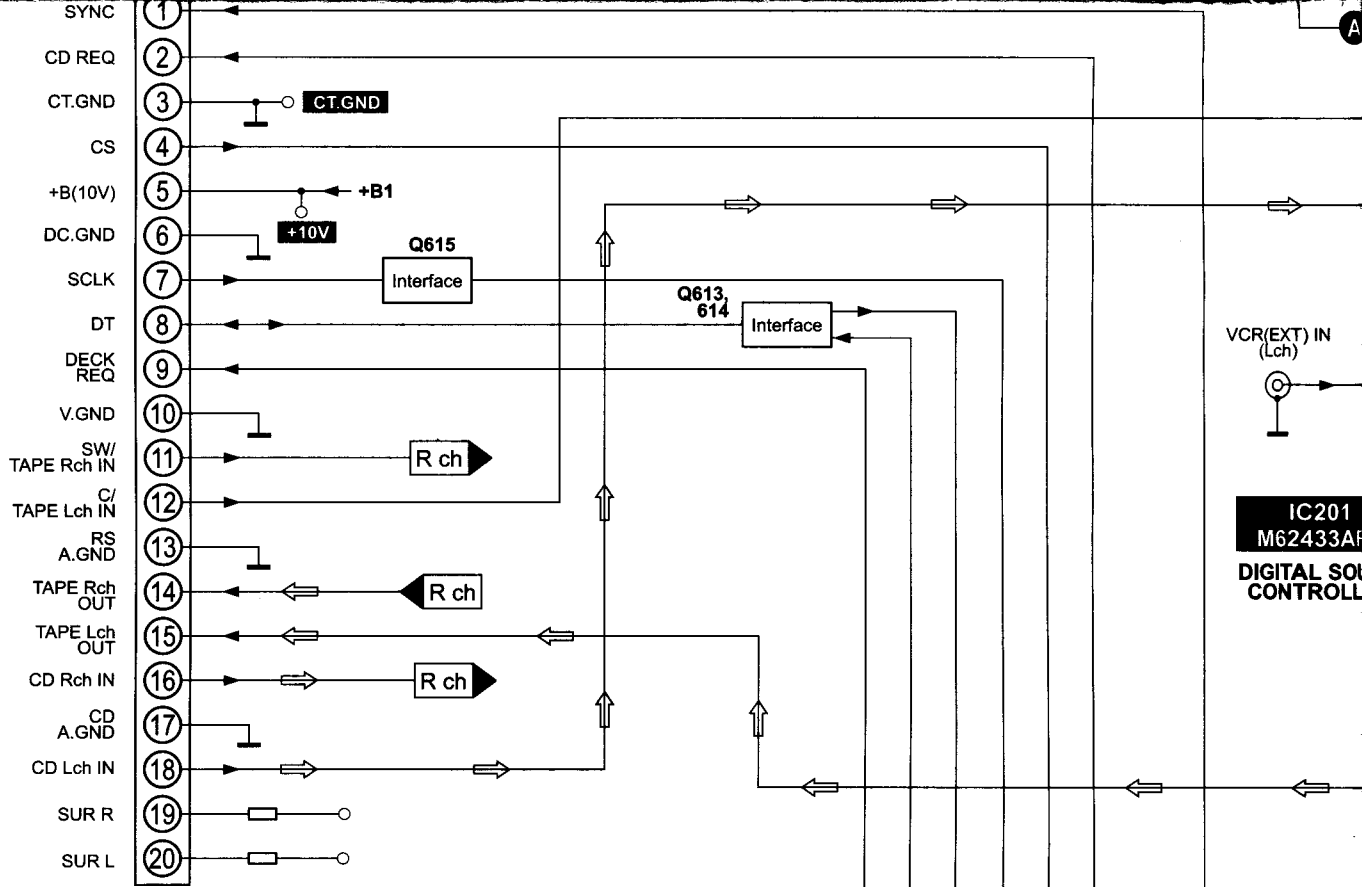
Block Diagram

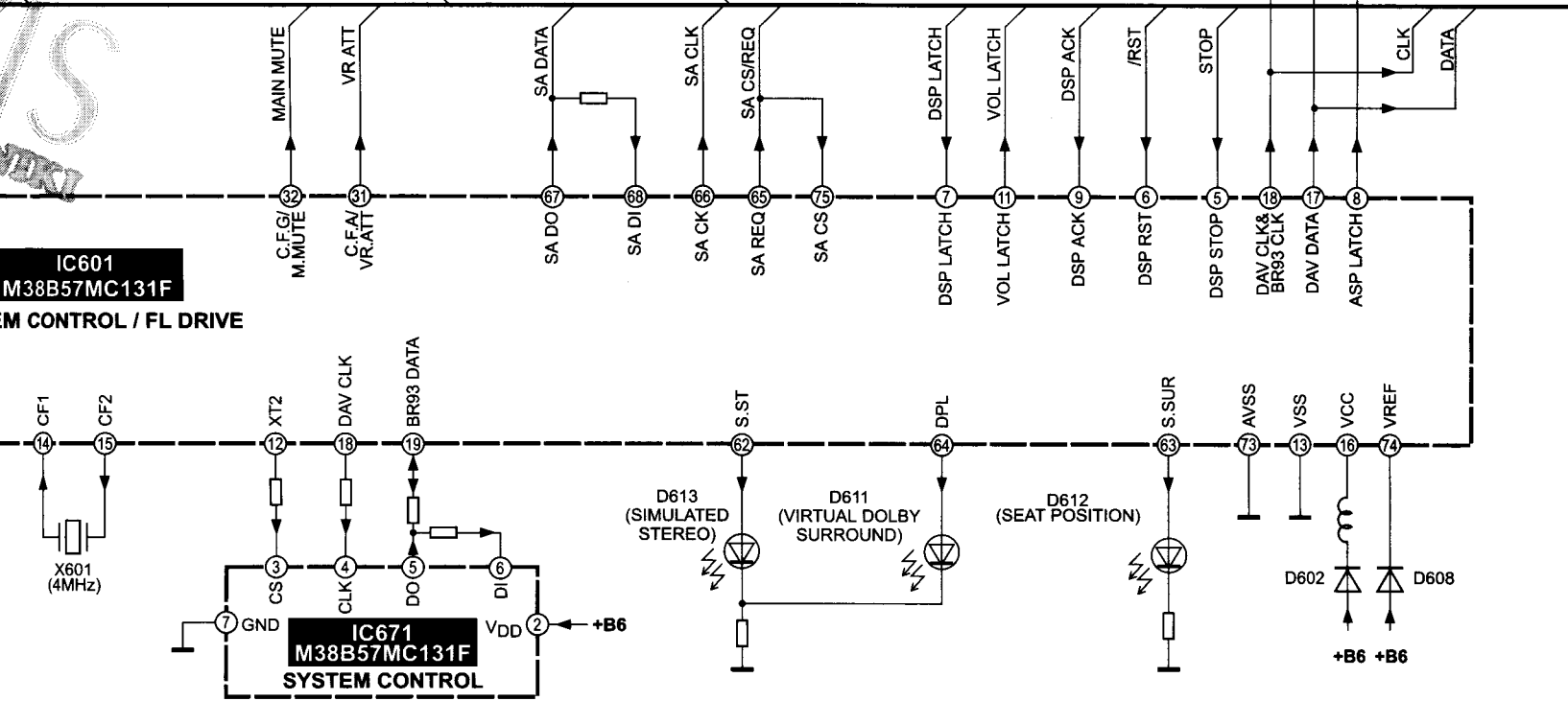
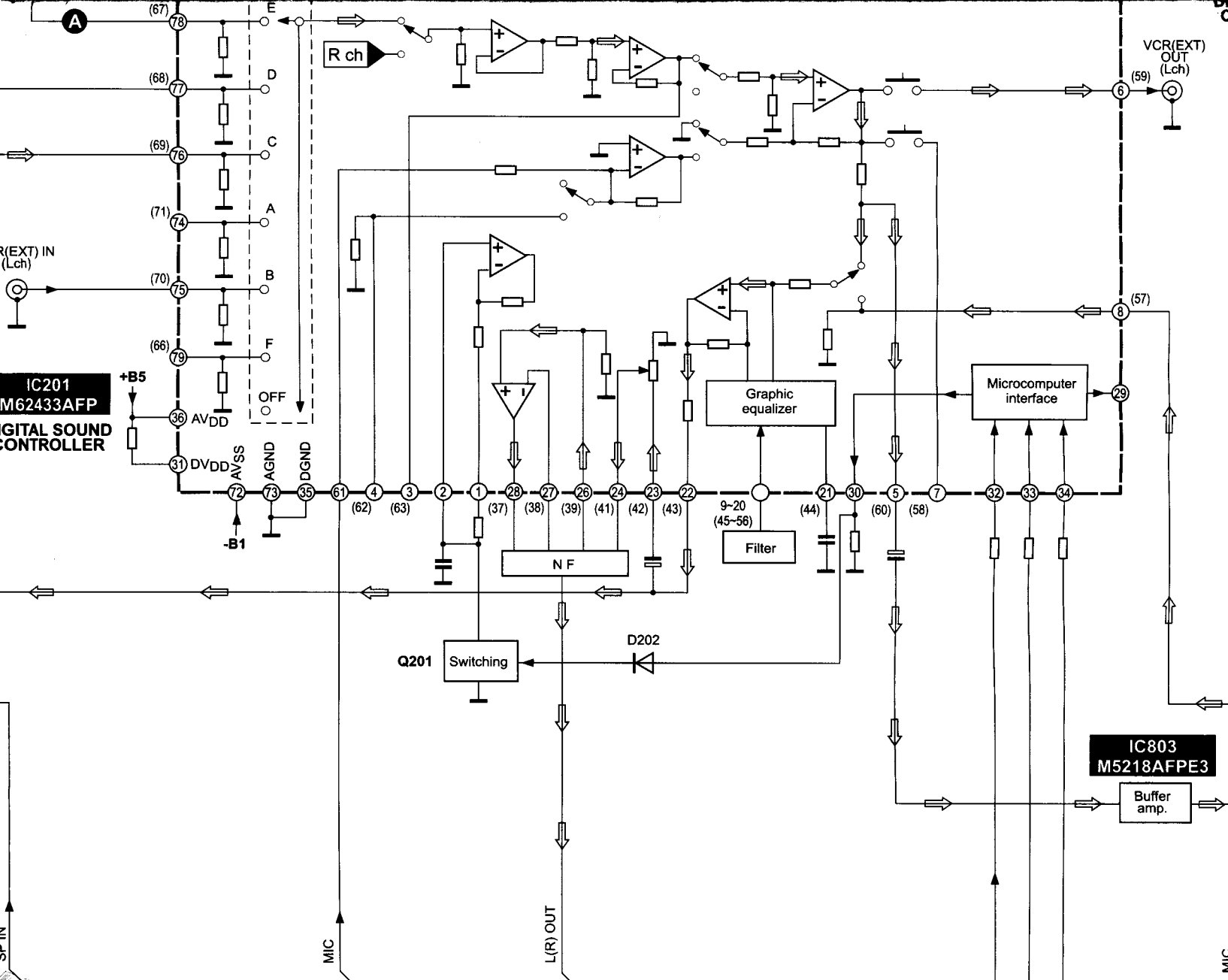


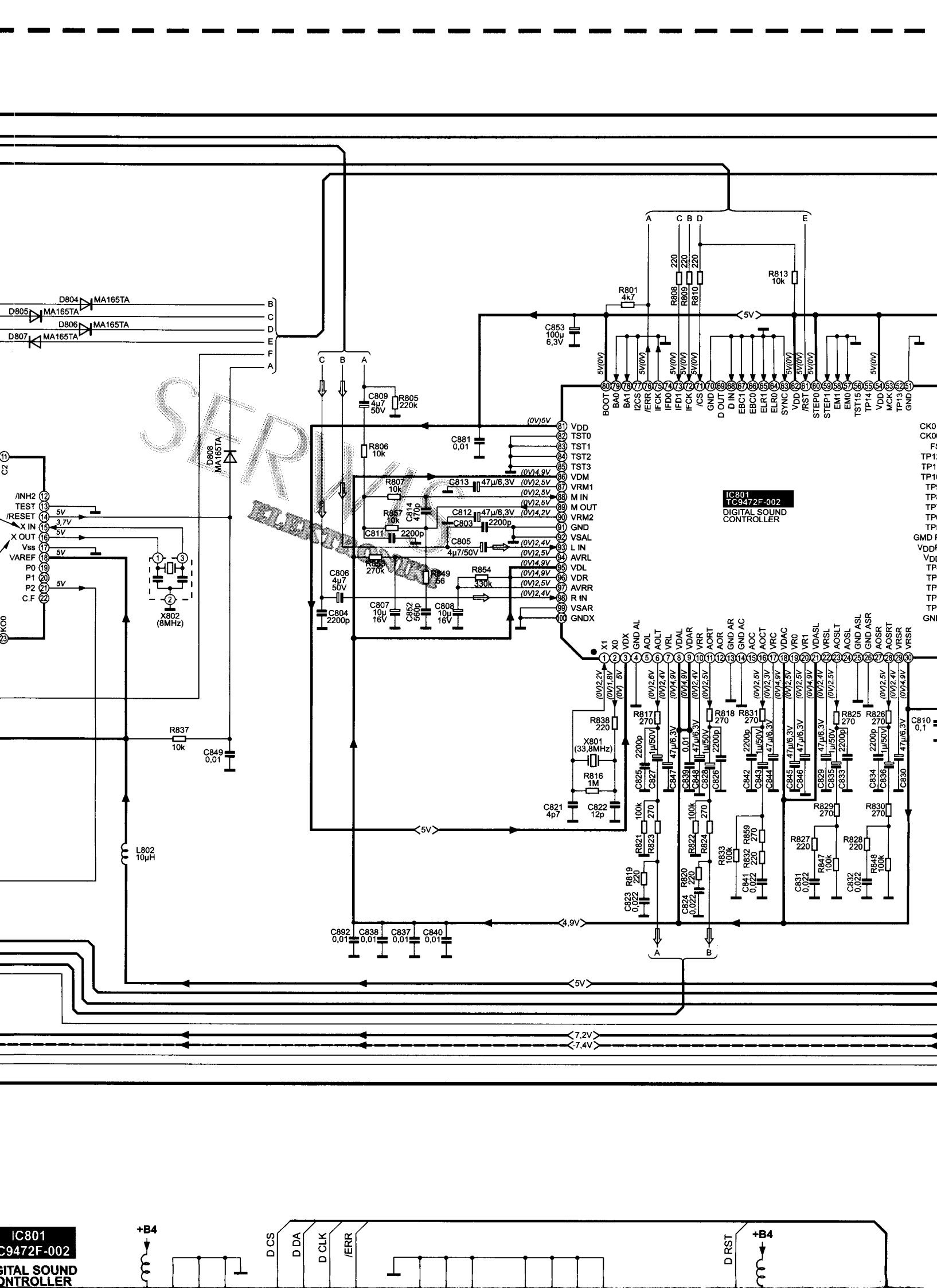


SH-EH550

CD PLAYER
BLOCK DIAGRAM
CASSETTE DECK
BLOCK DIAGRAM





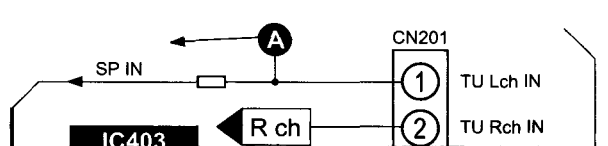
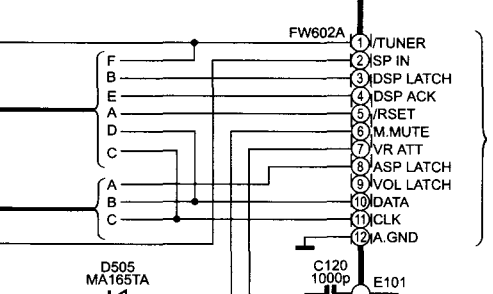
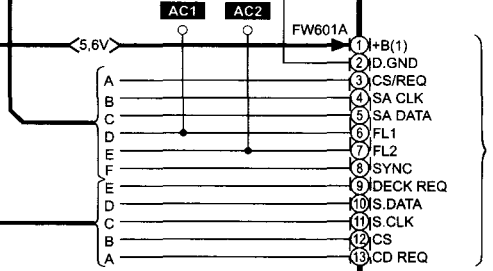
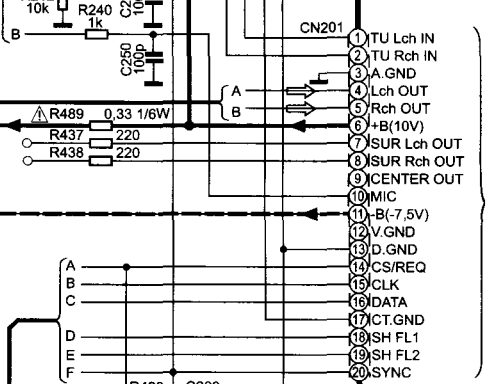
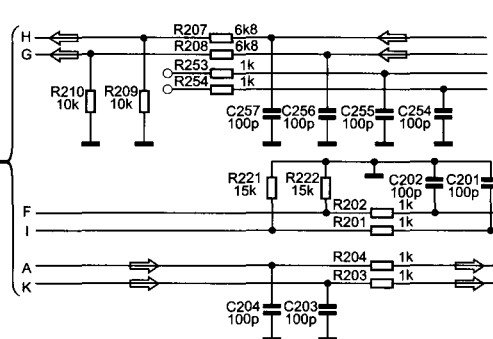
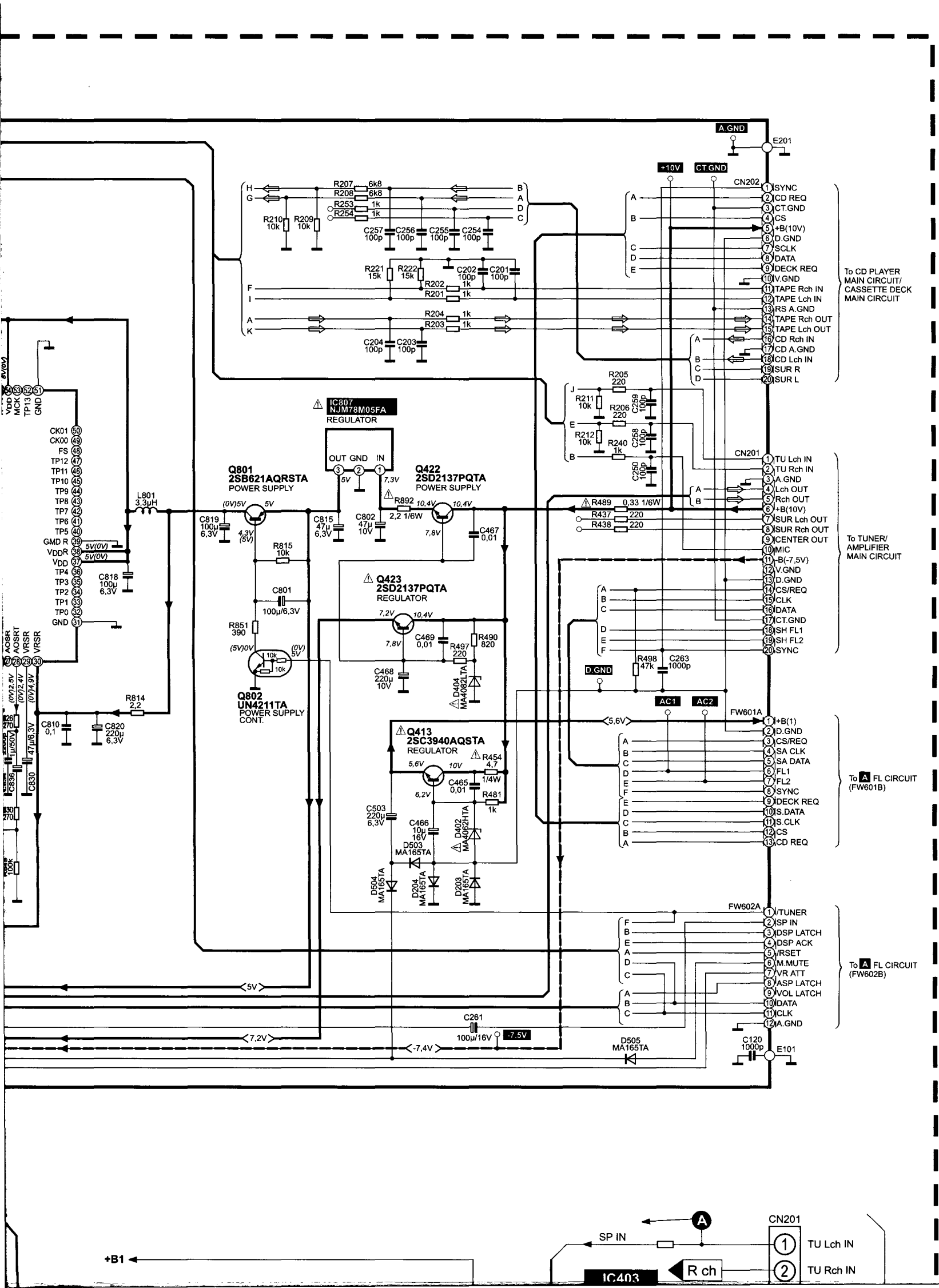


SERVIZIO ELETTRONICO

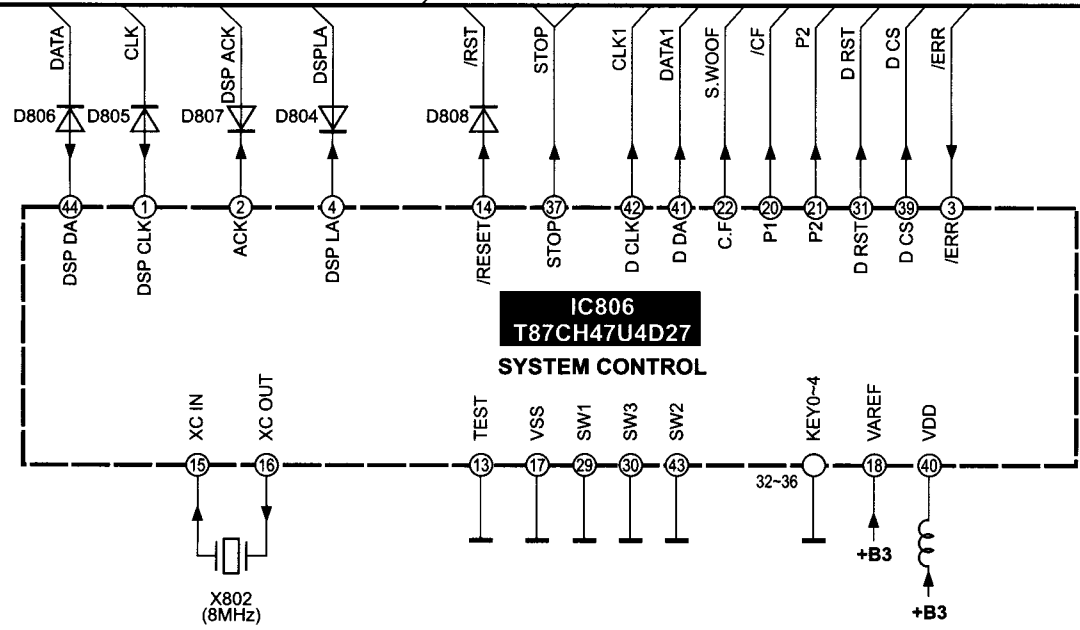
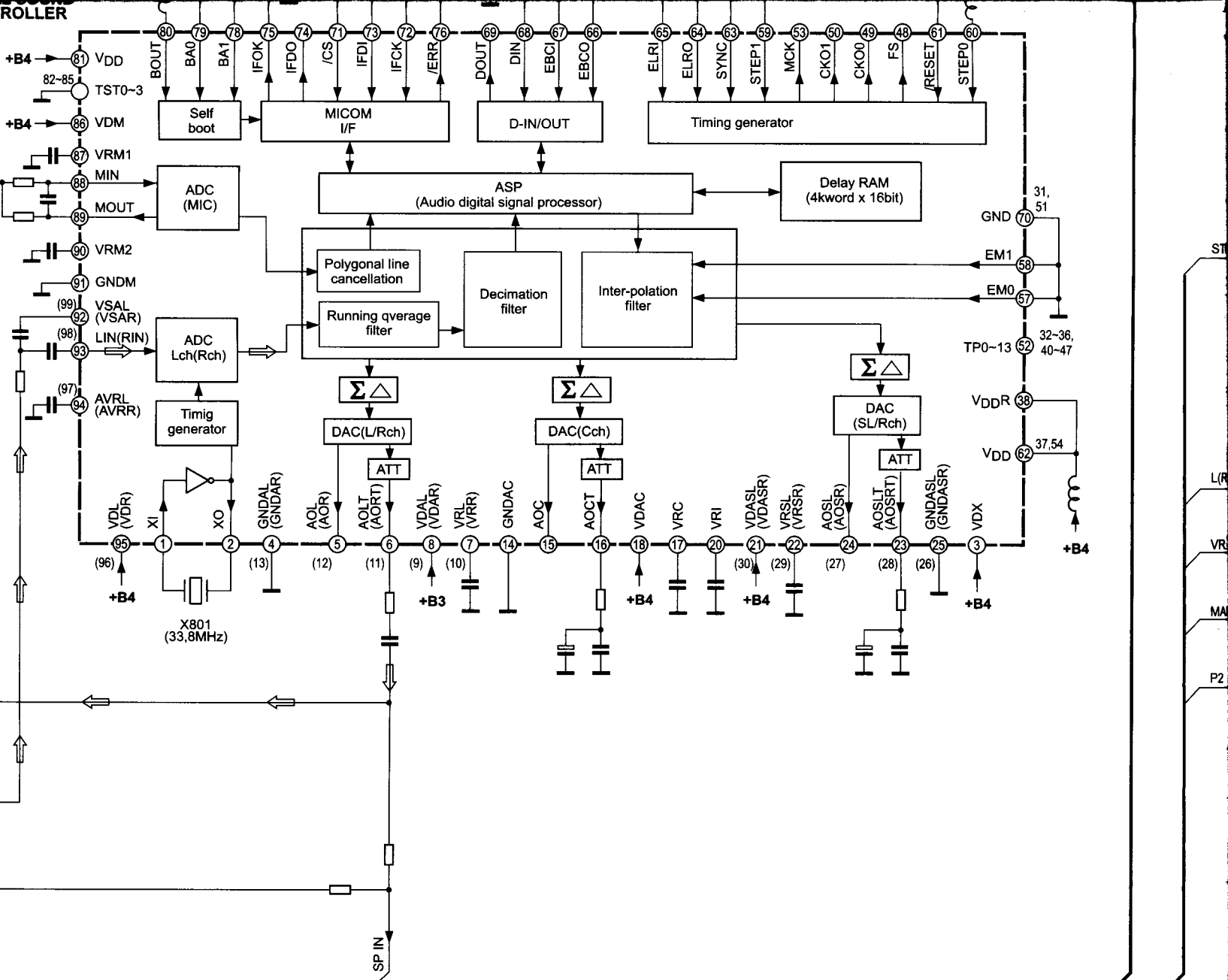
IC801
TC9472F-002
DIGITAL SOUND CONTROLLER

IC801
TC9472F-002
DIGITAL SOUND CONTROLLER



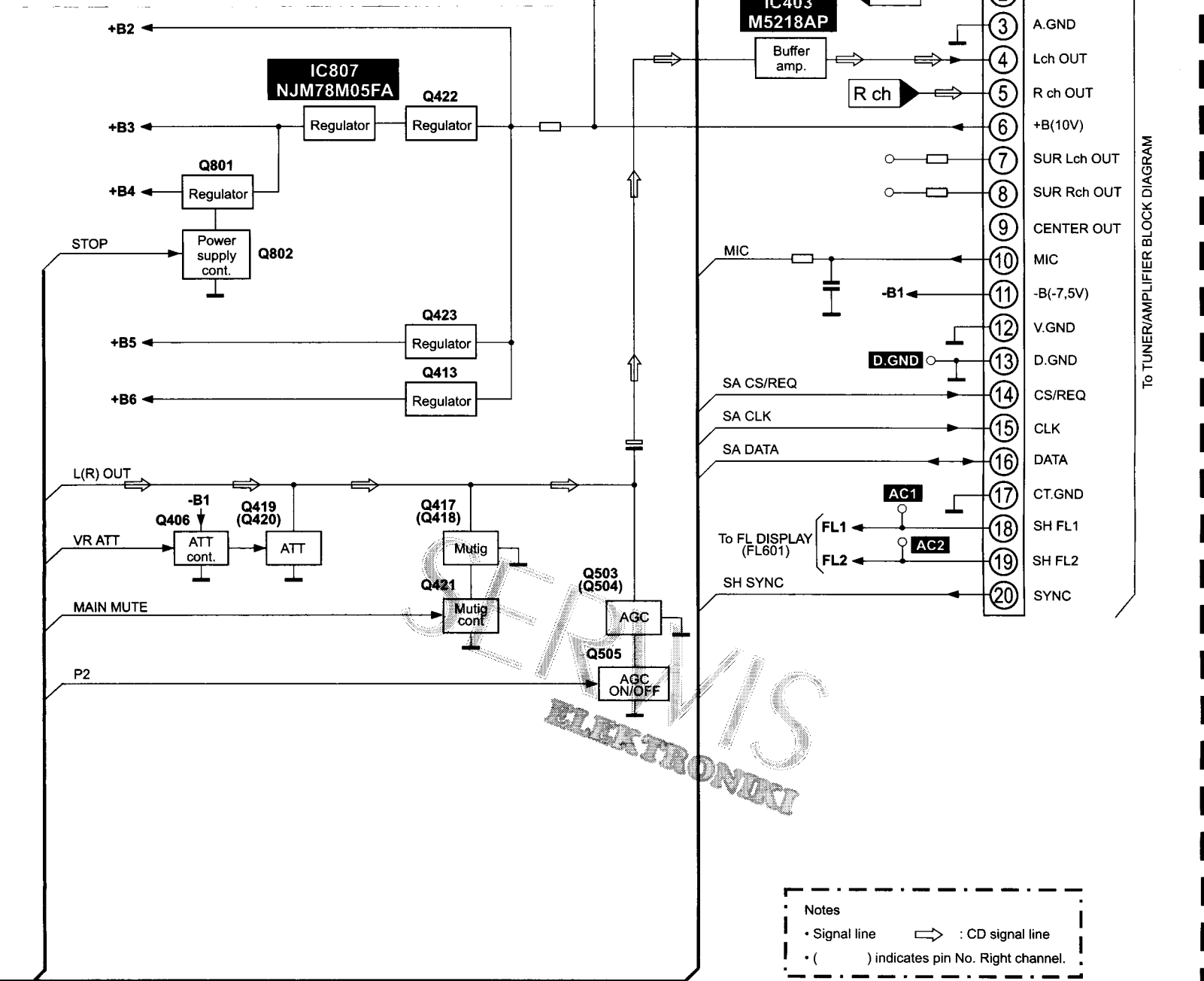


+B1



Uwag

S



To TUNER/AMPLIFIER BLOCK DIAGRAM

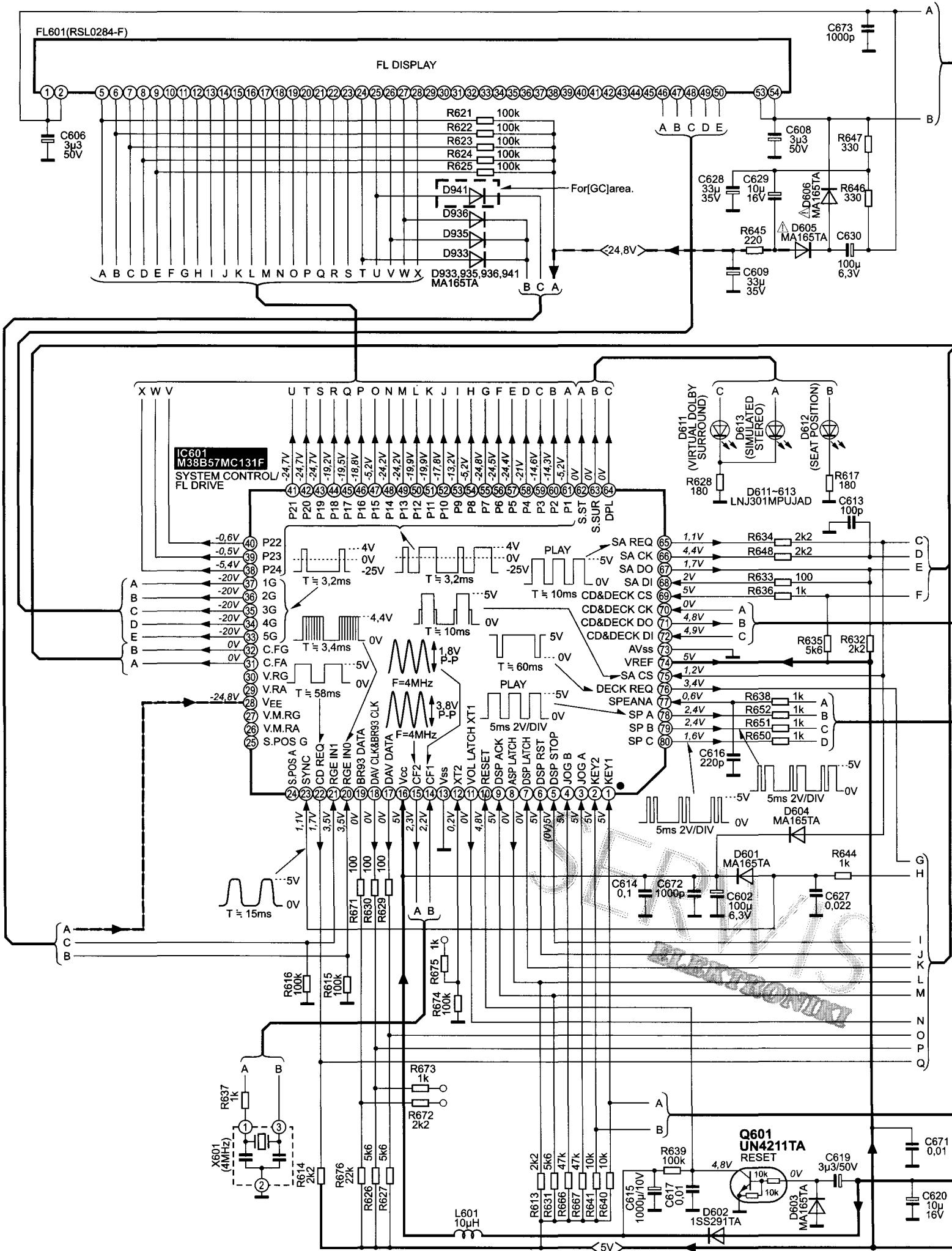
Uwaga: Schemat amplitunera SA-EH550 został opublikowany w dodatkowej wkladce do SE7/2002

DW_SE4/2004

Zestaw audio Technics SC-EH550:
SH-EH550 - procesor dźwięku, SA-EH500 - amplituner,
SL-EH550 - CD, RS-EH750 - magnetofon, SB-EH550 - głośniki
(strona 2/4)

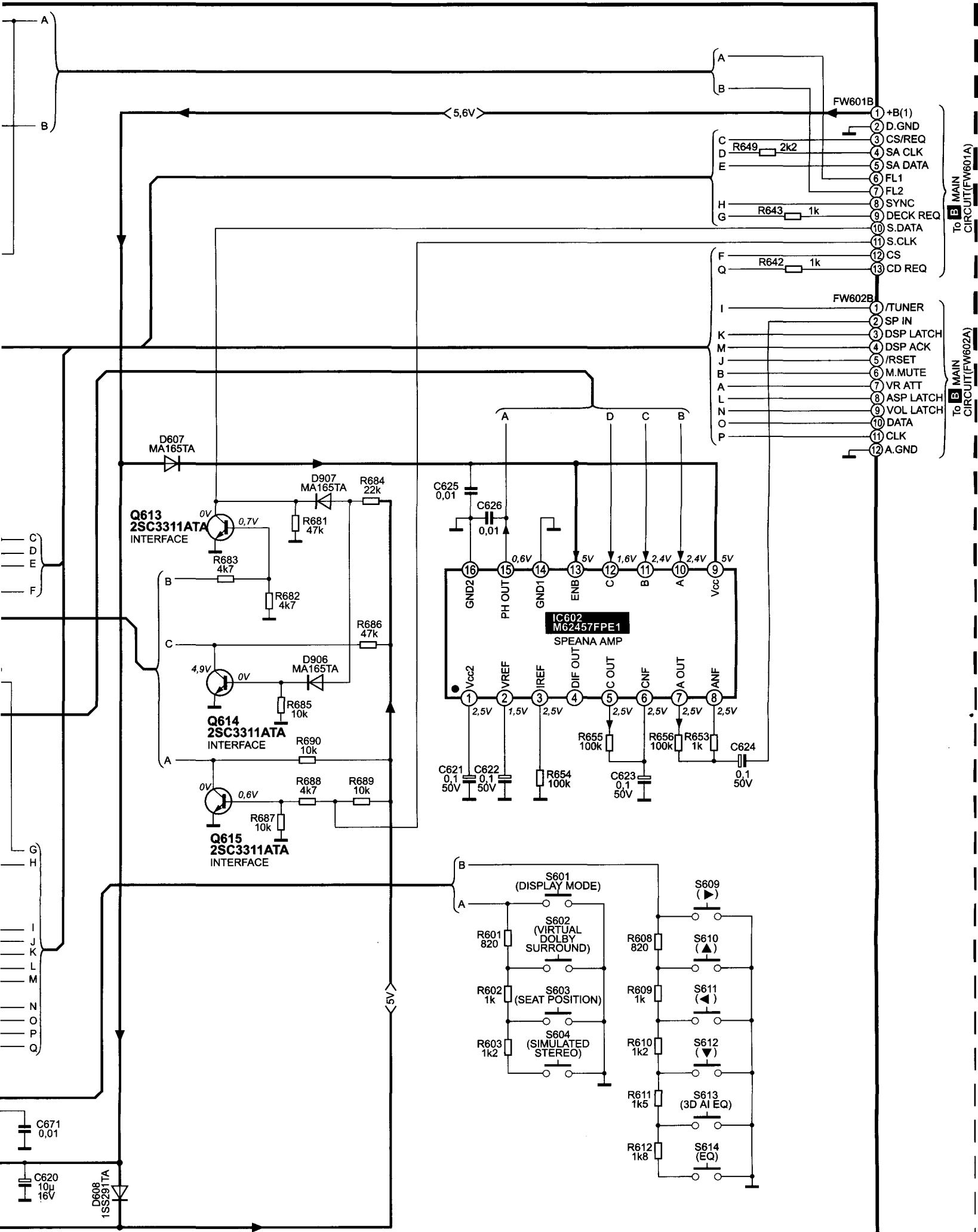
A FL CIRCUIT

—▶ : POSITIVE VOLTAGE LINE
 - -▶ : NEGATIVE VOLTAGE LINE



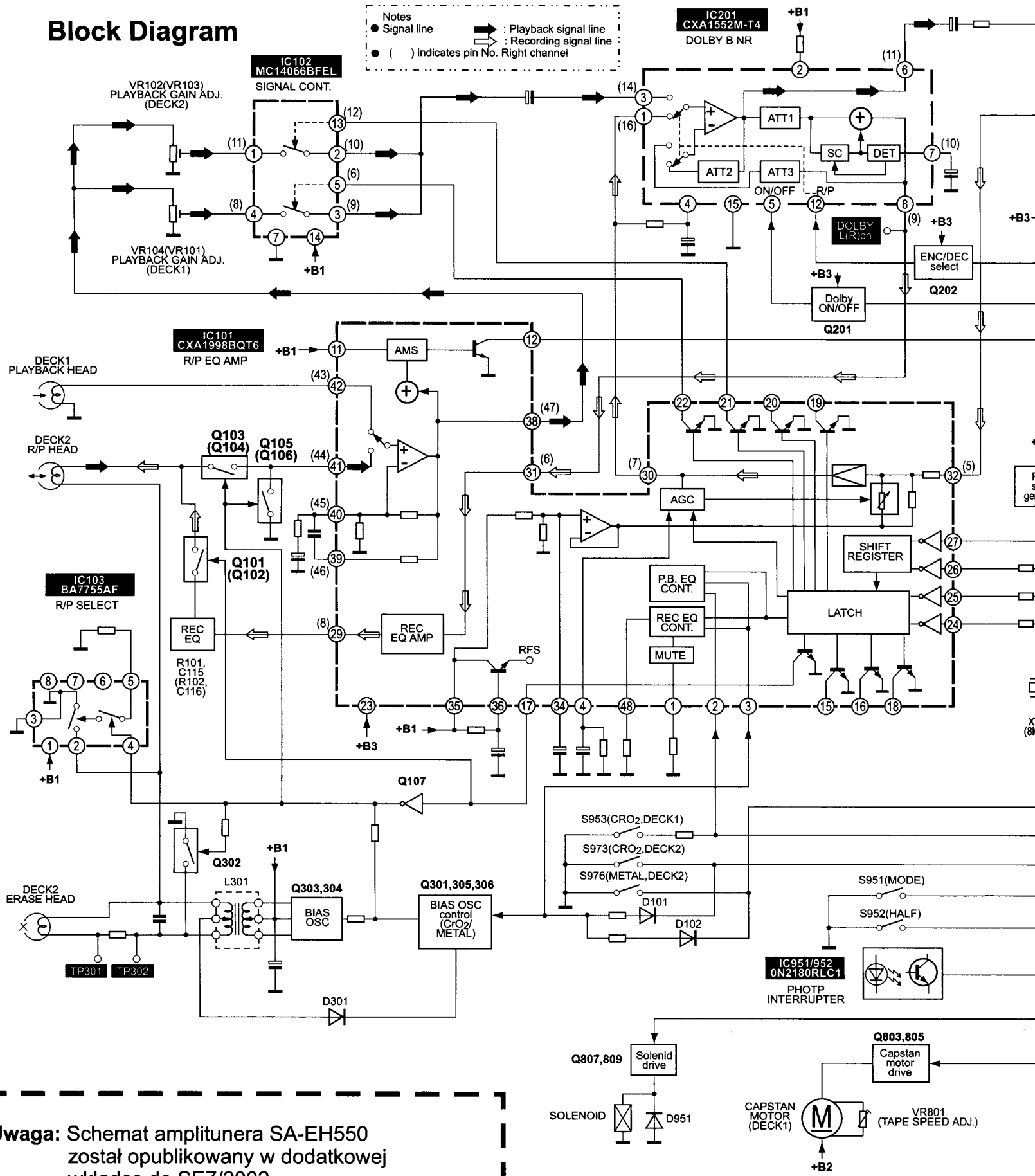
VOLTAGE LINE
VOLTAGE LINE

SH-EH550



Block Diagram

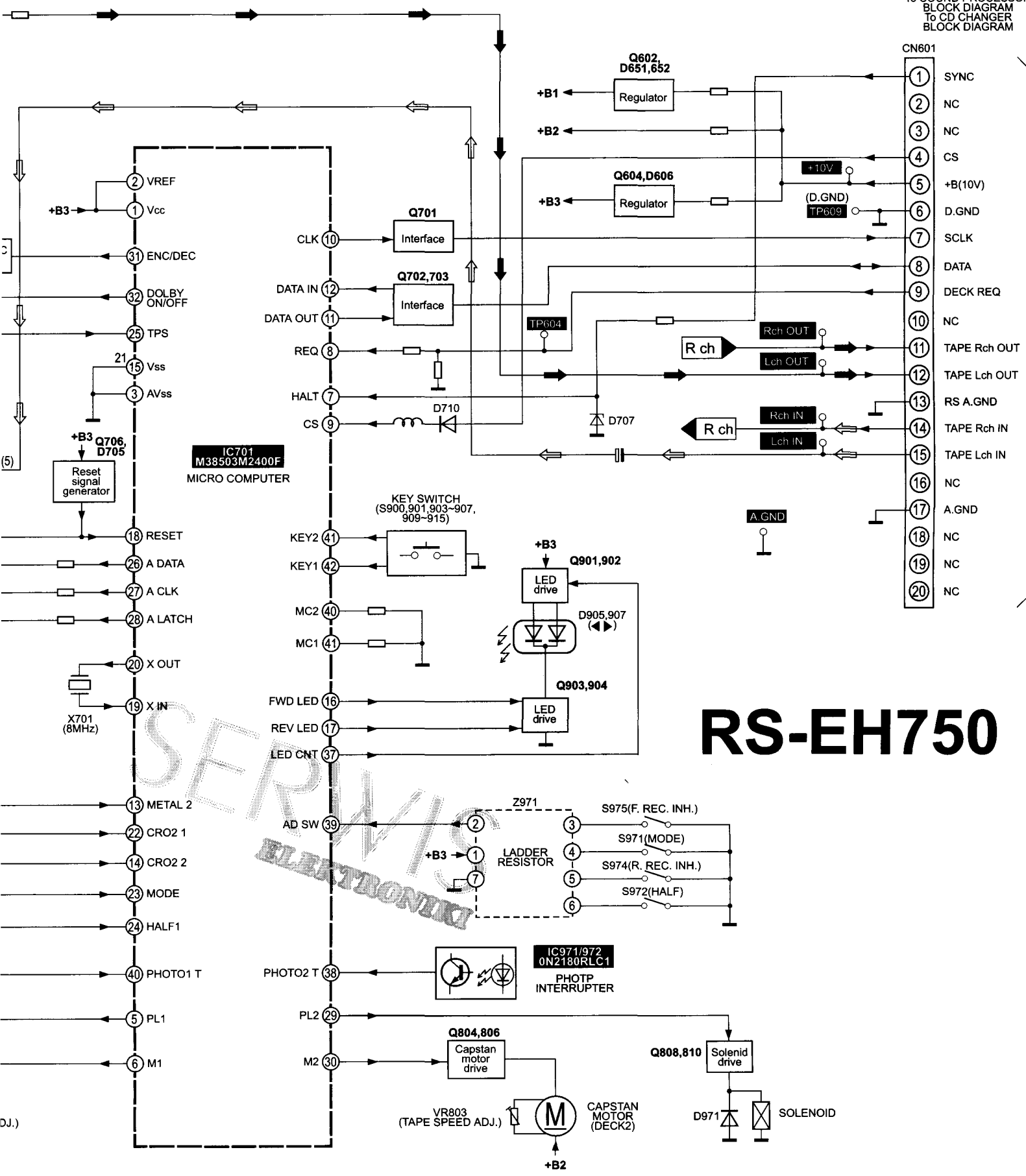
- Notes
- Signal line
 - ➔ Playback signal line
 - ➔ Recording signal line
 - () indicates pin No. Right channel



Uwaga: Schemat amplitunera SA-EH550 został opublikowany w dodatkowej wkładce do SE7/2002

Zestaw audio Technics SC-EH550: SA-EH500 - amplituner, SL-EH550 - CD, RS-EH750 - magnetofon, SB-

To SOUND PROCESSOR
BLOCK DIAGRAM
To CD CHANGER
BLOCK DIAGRAM

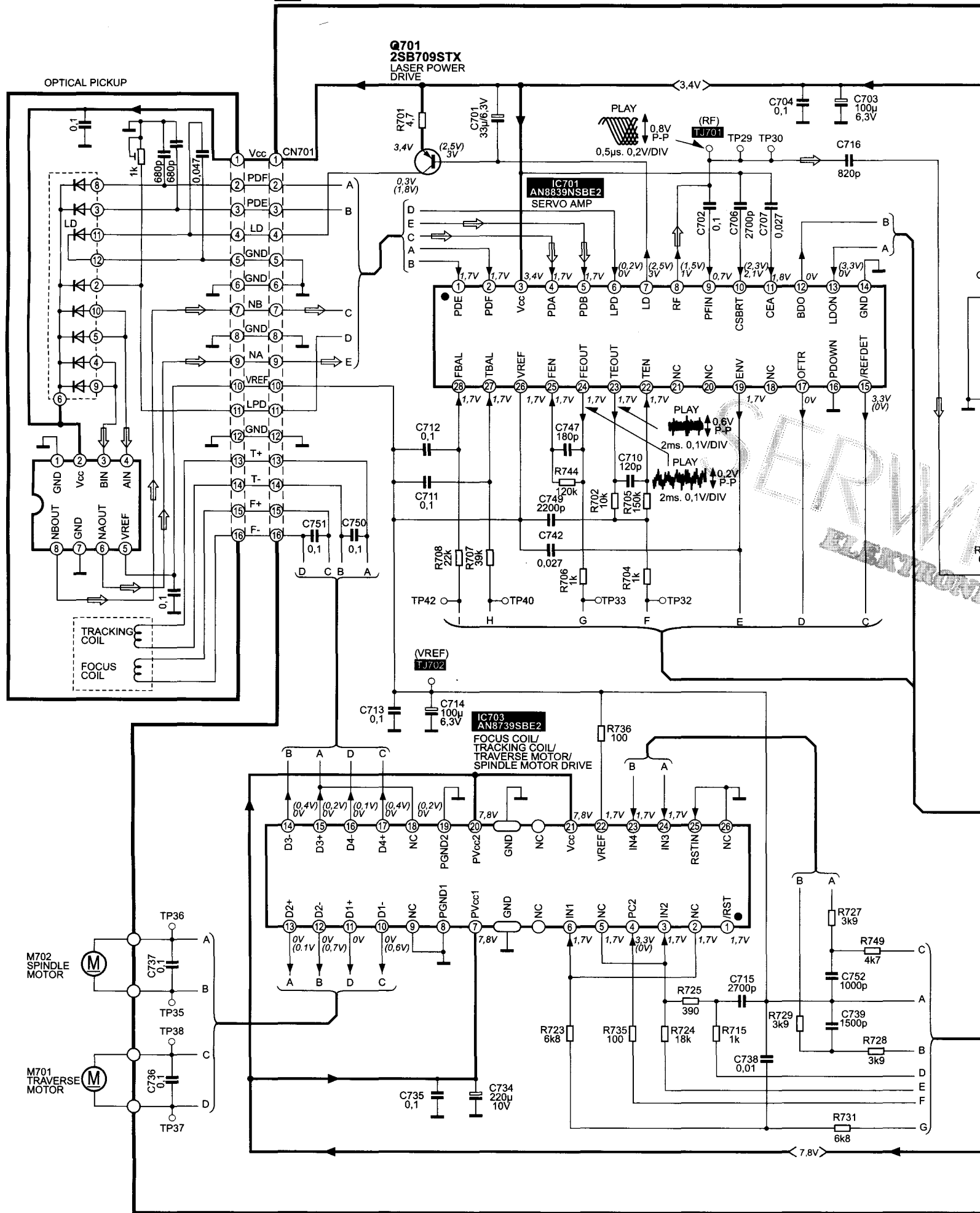


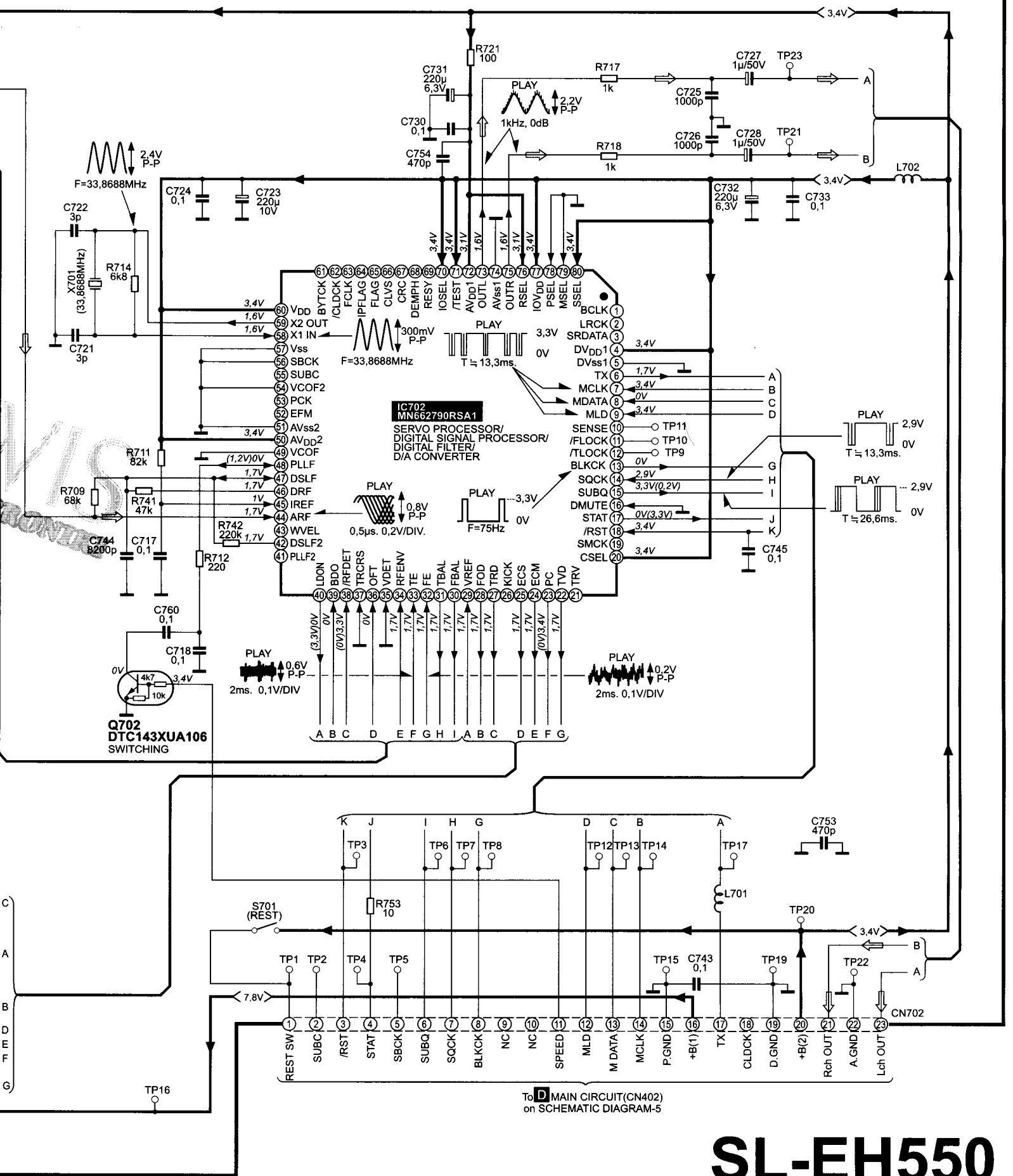
RS-EH750

• SH-EH550 - procesor dźwięku,
n, SB-EH550 - głośniki (strona 3/4)

A CD SERVO CIRCUIT

→ : POSITIVE VOLTAGE LINE ⇨ : CD SIGNAL LINE





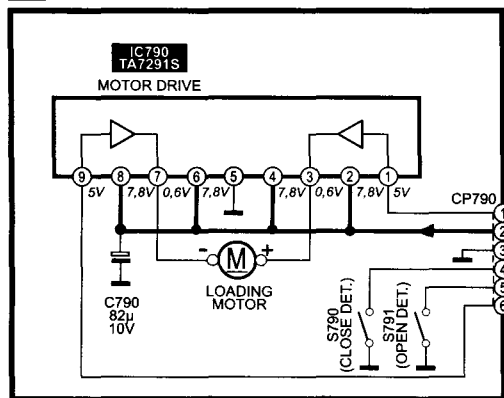
To MAIN CIRCUIT (CN402) on SCHEMATIC DIAGRAM-5

SL-EH550

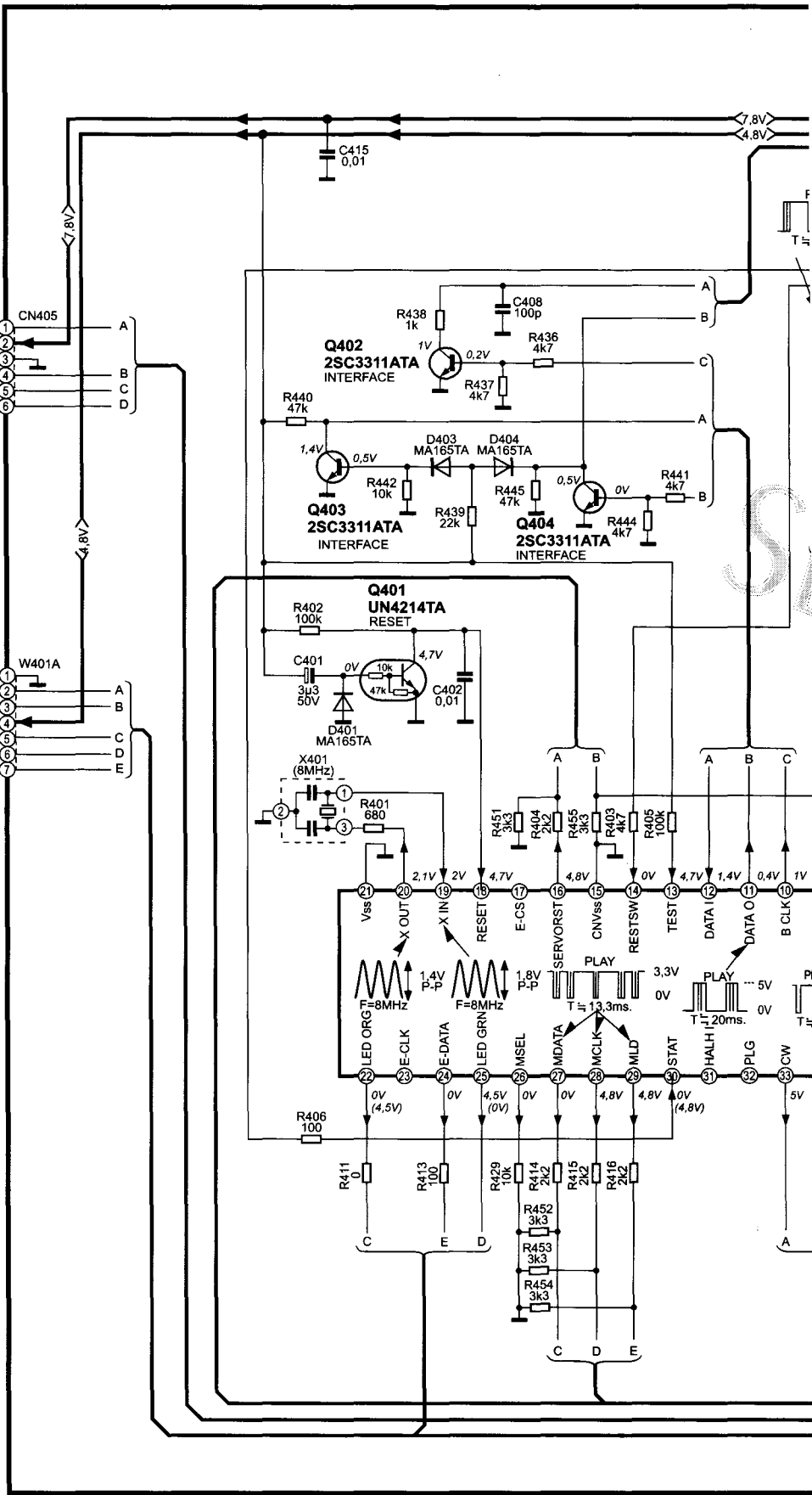
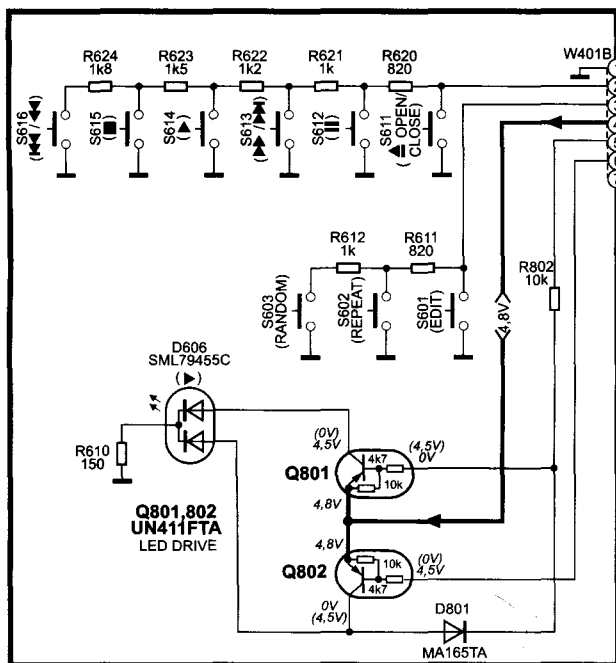
D MAIN CIRCUIT

→
POSITIVE VOLTAGE LINE

B LOADING MOTOR CIRCUIT

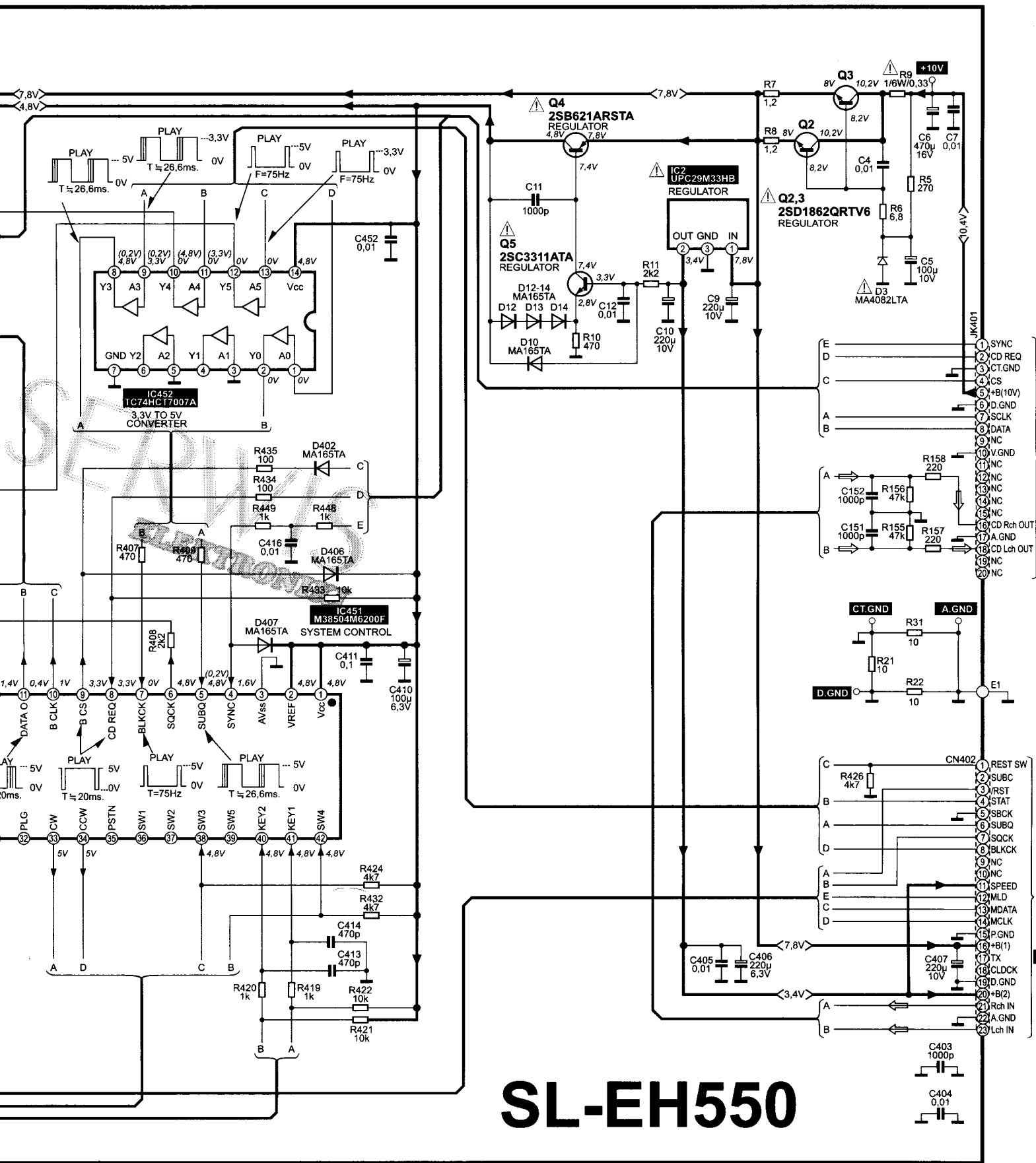


C OPERATION CIRCUIT



Uwaga: Schemat amplitunera SA-EH550 został opublikowany w dodatkowej wkladce do SE7/2002

Zestaw audio Technics SC-EH550: SH- SA-EH500 - amplituner, SL-EH550 - CD, RS-EH750 - magnetofon, SB-



SH-EH550 - procesor dźwięku,
 SB-EH550 - głośniki (strona 4/4)

DW_SE4/2004

To SOUND PROCESSOR MAIN CIRCUIT/ CASSETTE DECK MAIN CIRCUIT
 To A CD SERVO CIRCUIT(CN702)